

# SALE ITEM

## TOP VIEW

### ADA ACCESSIBILITY GUIDELINES - ADAAG CONFORMANCE

ELEVATED	ACCESSIBLE	RAMP ACCESSIBLE	GROUND	TYPES
0	0/0	0/0	1/0	1/0
CHILD CAPACITY	1	MAX FALL HEIGHT	1	

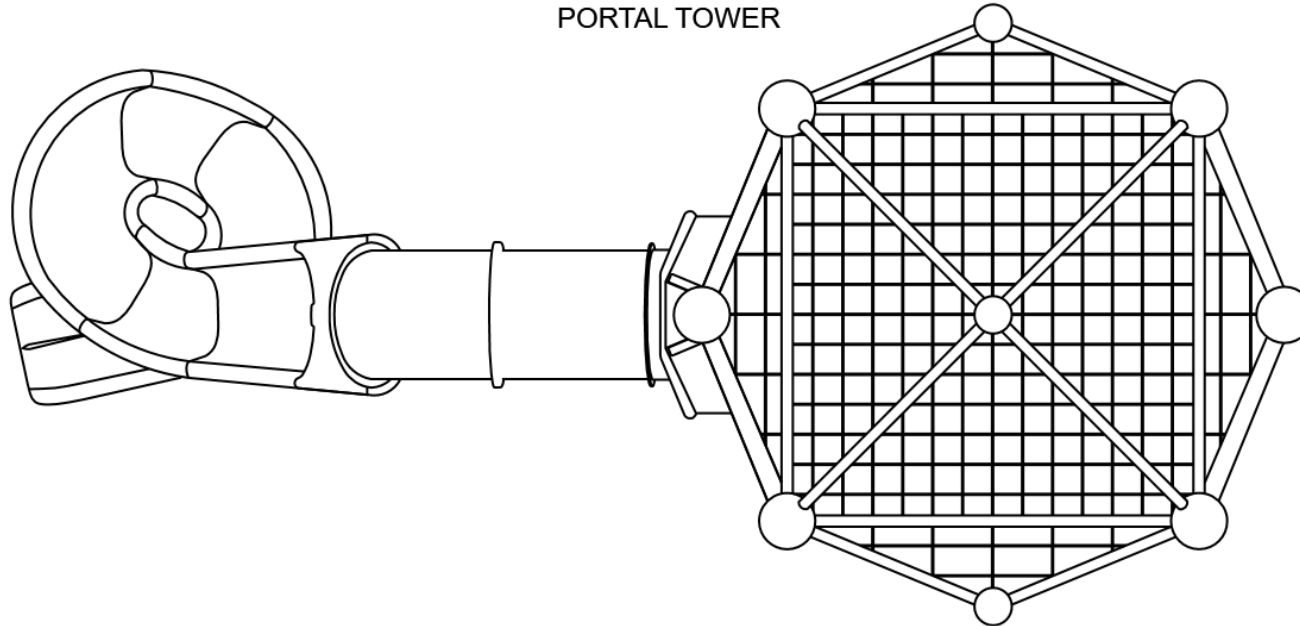
FOR KIDS  
AGES  
5-12

#### GENERAL NOTES

This conceptual plan is based on information provided prior to construction. Detailed site information, including the following, should be obtained, evaluated, and utilized in the final project design. Exact site dimensions, topography, existing utilities, soil conditions and drainage solutions.

WARNING: Accessible safety surfacing material is required beneath and around this equipment that has a critical height value (Fall Height) appropriate for the highest accessible part of this equipment. Refer to the CPSC'S Handbook For Public Playground Safety, Section 4: Surfacing.

A2-NE-XM  
PORTAL TOWER



STRUCTURE # NET  
PROJECT # PCD2347DAFA  
DATE 7/26/2023

**Playcraft Systems**

MIN. USE ZONE 38' x 23' (11.289m x 6.969m)



**SALE ITEM  
SITE PLAN**

**ADA ACCESSIBILITY GUIDELINES - ADAAG CONFORMANCE**

ELEVATED	ACCESSIBLE	RAMP ACCESSIBLE	GROUND	TYPES
1	0/1	0/0	1/0	1/0

**Mixed Types**

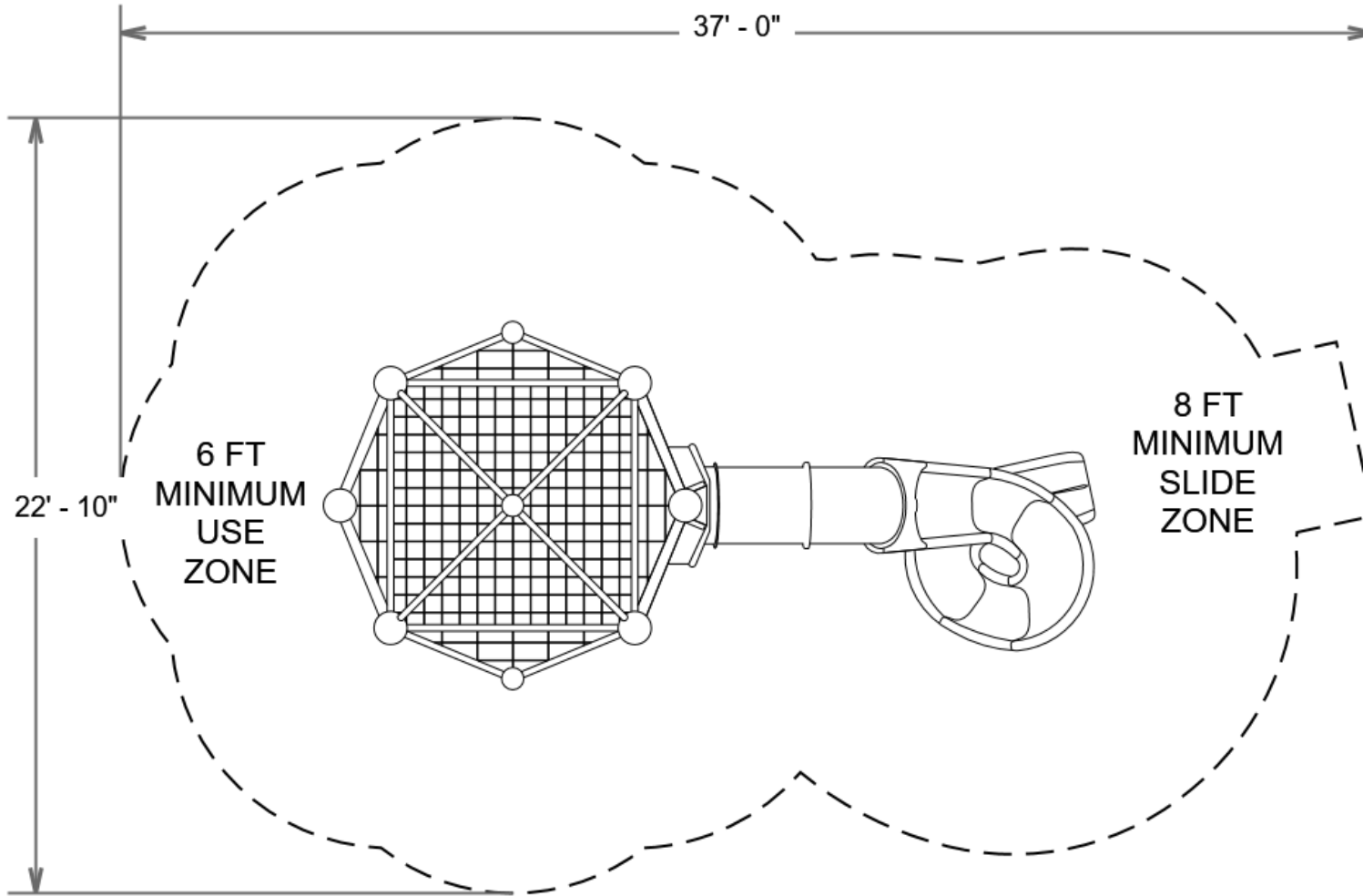
**FOR KIDS AGES 5-12**

**GENERAL NOTES**

This Preliminary Site Plan is based on measurements that were provided in the initial planning phase. All dimensions must be verified prior to the submission of a purchase order. Playcraft Systems will not be held responsible for any discrepancies between actual dimensions and dimensions submitted in the planning phase.

The Minimum Use Zone for a play structure is based on the product design at the time of proposal. Components and structure designs may be subject to change which may affect dimensions. Therefore, before preparing the site, we strongly recommend obtaining final drawings from the factory (available after the order is placed and included in the Assembly Manual).

**WARNING:** Accessible safety surfacing material is required beneath and around this equipment that has a critical height value (Fall Height) appropriate for the highest accessible part of this equipment. Refer to the CPSC'S Handbook For Public Playground Safety, Section 4: Surfacing.



**PROJECT #** PCD2347DAFA  
**DATE** 7/26/2023

**Playcraft Systems**  
**MIN. USE ZONE** 38' x 23' (11.289m x 6.969m)



**SALE ITEM**  
**SW VIEW**

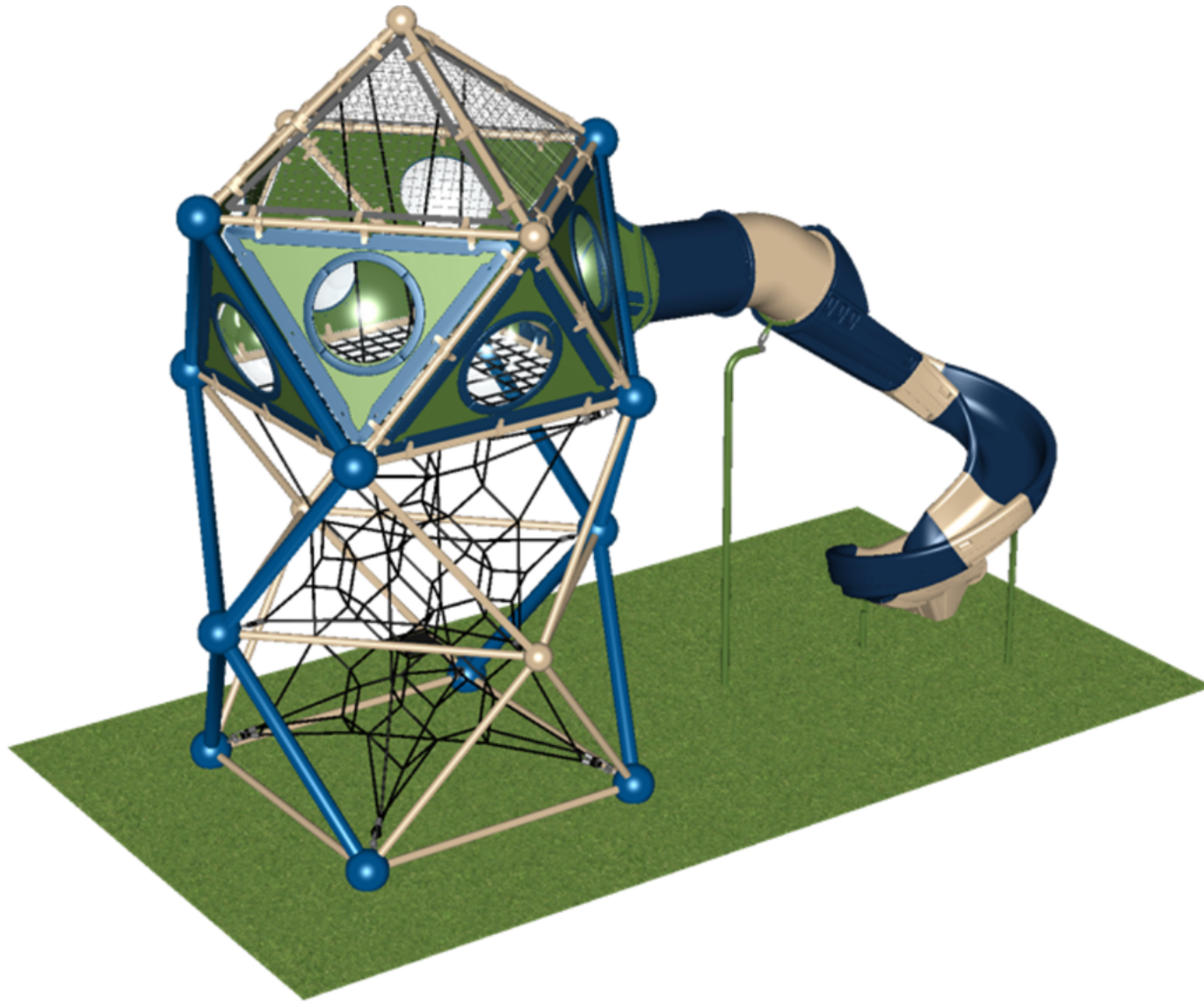
FOR KIDS  
AGES  
5-12



**STRUCTURE #** NET  
**PROJECT #** PCD2347DAFA  
**DATE** 7/26/2023

**SALE ITEM**  
**NE VIEW**

FOR KIDS  
AGES  
5-12



**STRUCTURE #** NET  
**PROJECT #** PCD2347DAFA  
**DATE** 7/26/2023

**SALE ITEM**

**Project #** PCD2347DAFA

**Date** 7/26/2023

---

Item / Part Number	Description	Qty
[NET]		
A2-NE-XMSP	NE XM Portal Tower	1